

FEATURED MODEL
 SVC1011WH, 4-1/4" bowl depth

FEATURES

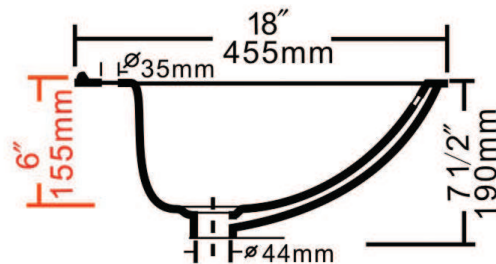
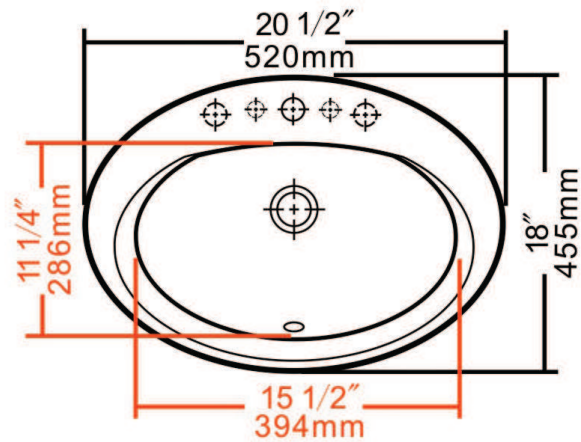
- * Non-porous vitreous china
- * High gloss enamel coating resists spills, scratches and other imperfections
- * Drain and faucet sold separately

Model #	SVC1011WH
Color	White
Material	Vitreous China
Finish	Enameled
Mount Options	Drop-In
Overflow	Yes
Drain Size	1-3/4"



NOMINAL DIMENSIONS Model SVC1011WH shown

OVERALL	BOWL DEPTH	DRAIN
20-1/2"	6"	1-3/4"



WARRANTY

Serenity Sinks Stainless sinks feature a LIMITED LIFETIME WARRANTY to be free of all manufacturing defects under normal use.

While Serenity endeavors to provide accurate information, all dimensions are nominal, cannot be guaranteed, and are subject to change or cancellation. Serenity Sinks assumes no responsibility for use of superseded or voided specifications.

JOB INFORMATION

Job Name: _____

Contact: _____

Date Specified: _____

Specifier: _____

Contractor: _____



Architectural Surfaces Group

www.arcsurfacesgroup.com