

FEATURED MODEL
 SVC1638, 5-1/2" bowl depth

FEATURES

- * Non-porous vitreous china
- * High gloss enamel coating resists spills, scratches and other imperfections
- * *ADA compliant
- * Drain and faucet sold seperately

Model #	SVC1638WH
Color	White
Material	Vitreous China
Finish	Enameled
Mount Options	Under-mount
Overflow	Yes
Drain Size	1-3/4"
ADA Compliant	Yes

WARRANTY

Serenity Sinks Stainless sinks feature a LIMITED LIFETIME WARRANTY to be free of all manufacturing defects under normal use.

While Serenity endeavors to provide accurate information, all dimensions are nominal, cannot be guaranteed, and are subject to change or cancellation. Serenity Sinks assumes no responsibility for use of superseded or voided specifications.

JOB INFORMATION

Job Name: _____

Contact: _____

Date Specified: _____

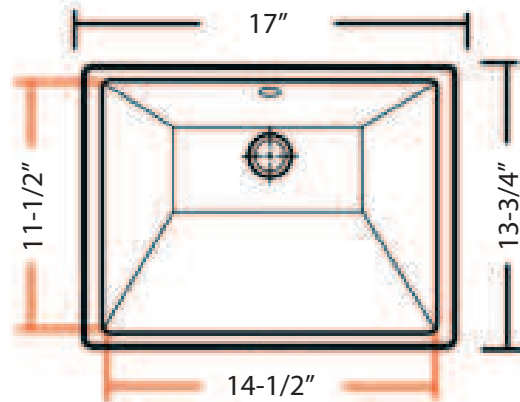
Specifier: _____

Contractor: _____



NOMINAL DIMENSIONS Model SVC1638WH shown

OVERALL	BOWL DEPTH	DRAIN
17" x 13-3/4"	5-1/2"	1-3/4"



Architectural Surfaces Group

www.arcsurfacesgroup.com